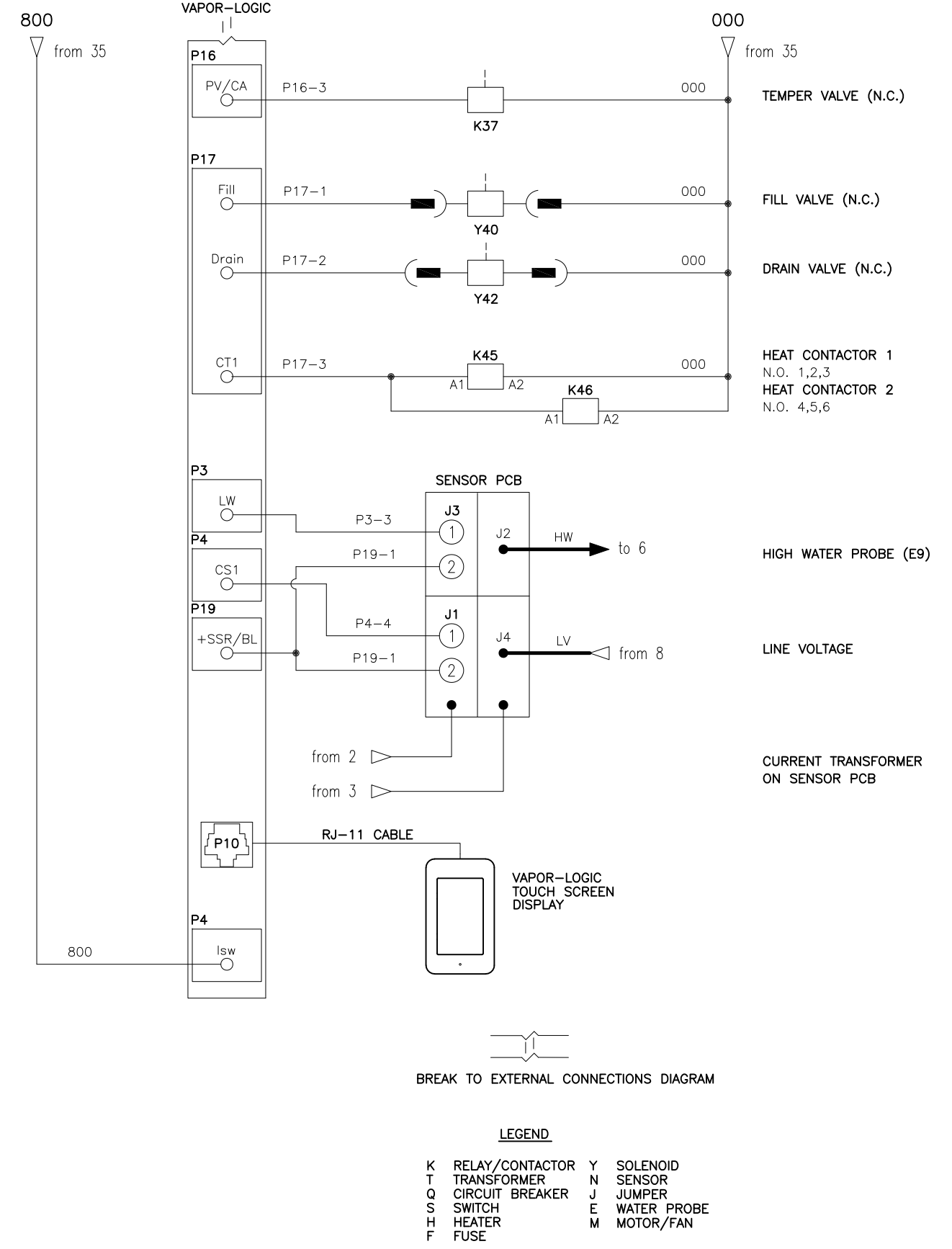
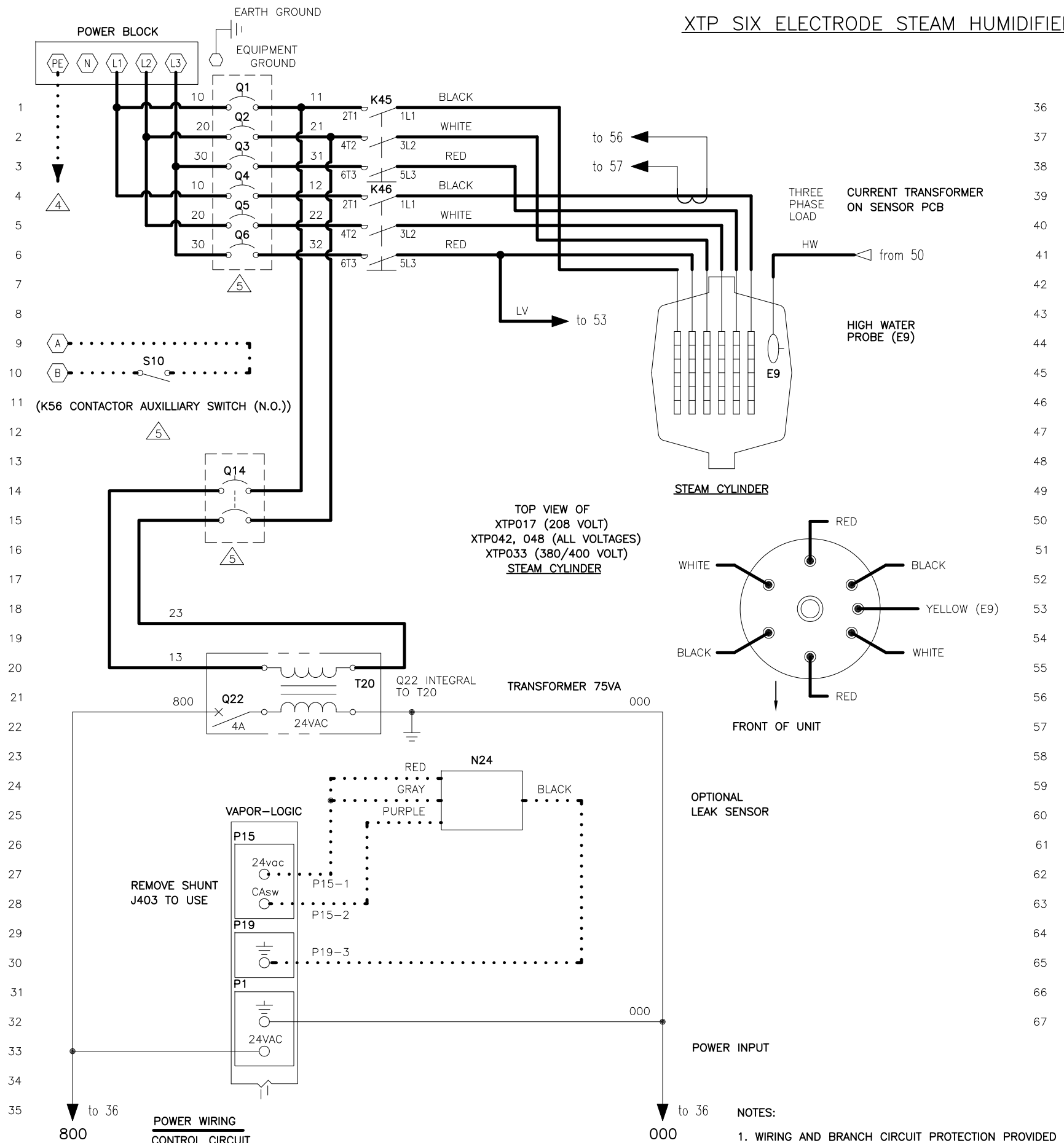


XTP SIX ELECTRODE STEAM HUMIDIFIER

REFER TO FOLLOWING DOCUMENTS
 -INSTALLATION REQUIREMENTS
 -EXTERNAL CONNECTIONS

DATE	REV	RECORD	DR
3/26	A	E.C.# 7409	JK



- NOTES:**
1. WIRING AND BRANCH CIRCUIT PROTECTION PROVIDED BY INSTALLER AS PER NATIONAL ELECTRICAL CODE.
 2. FOR SUPPLY HEATER AND MACHINE GROUND CONNECTIONS, SIZE WIRE USING 75°C WIRE TABLE PER NATIONAL ELECTRICAL CODE.
 3. USE COPPER CONNECTORS RATED FOR 105°C.

- △ 4 FOR 230 & 400 VOLT
- △ 5 FACTORY OPTION
- 6 REFERENCE OUTDOOR ENCLOSURE DIAGRAM #XTP-V2-OE-1

		XTP SIX ELECTRODE	
		MAT'L:	P/N
SCALE:	DATE: 12/10/25	XTP-V2-VL-4	