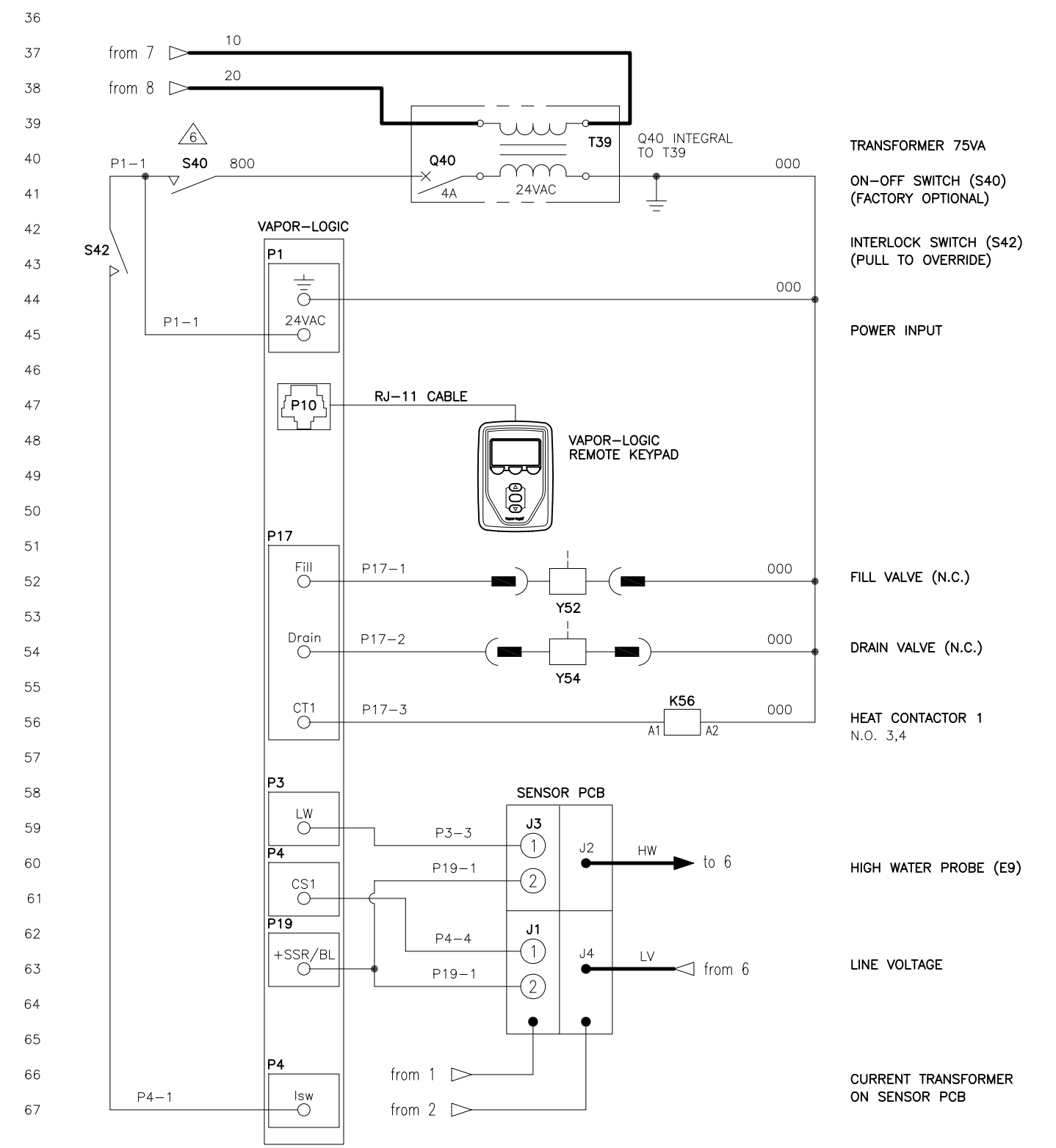
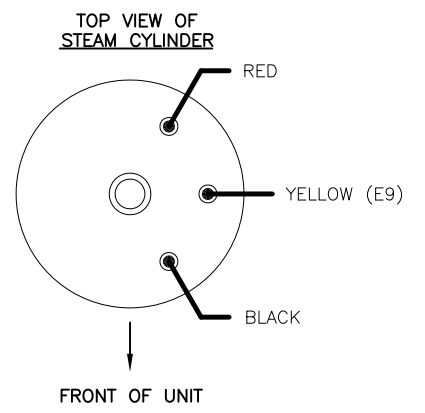
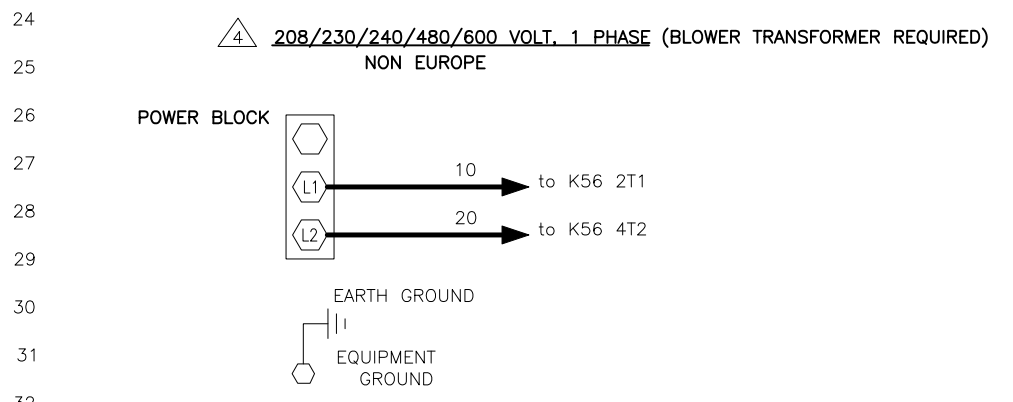
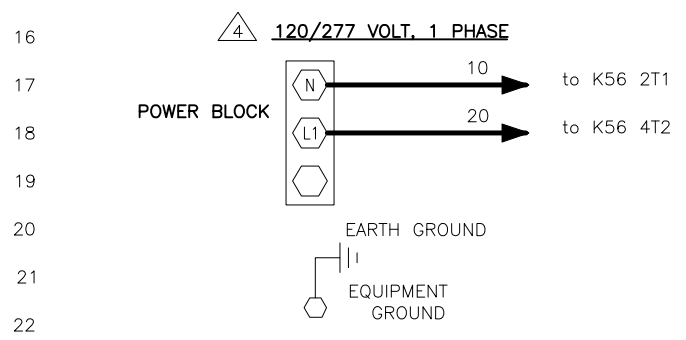
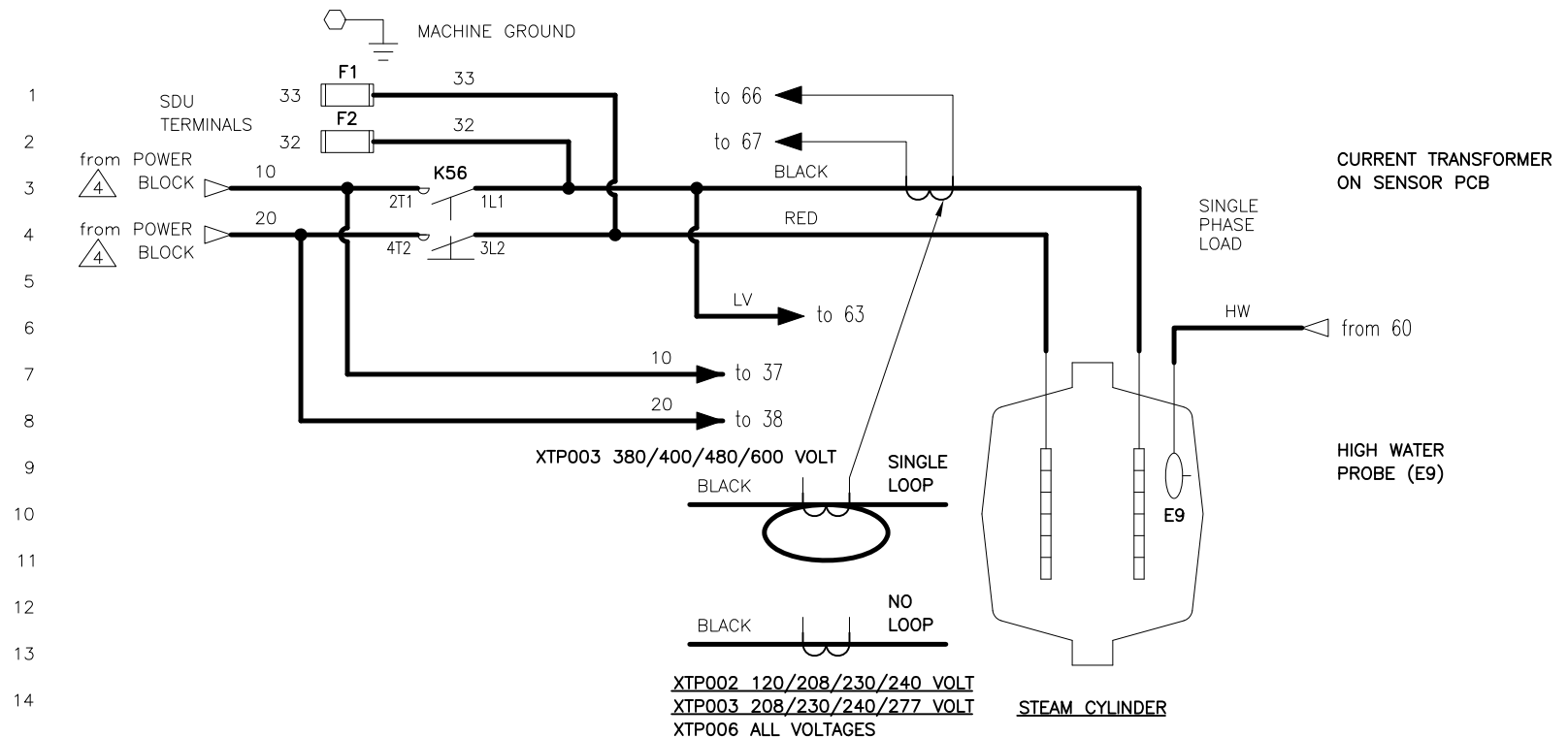


XTP TWO ELECTRODE STEAM HUMIDIFIER

REFER TO FOLLOWING DOCUMENTS
 -INSTALLATION REQUIREMENTS
 -EXTERNAL CONNECTIONS

DATE	REV	RECORD	DR
2/21	G	E.C.# 6942	JK
1/22	H	E.C.# 7049	JK
2/23	I	E.C.# 7149	JK



LEGEND

POWER WIRING	K RELAY/CONTACTOR	Y SOLENOID
CONTROL CIRCUIT WIRING	T TRANSFORMER	N SENSOR
FIELD WIRING	Q CIRCUIT BREAKER	J JUMPER
OPTIONAL FACTORY	S SWITCH	E WATER PROBE
OPTIONAL FIELD	H HEATER	M MOTOR/FAN
	F FUSE	

NOTES

1. WIRING AND BRANCH CIRCUIT PROTECTION PROVIDED BY INSTALLER AS PER NATIONAL ELECTRICAL CODE.
2. FOR SUPPLY HEATER AND MACHINE GROUND CONNECTIONS, SIZE WIRE USING 75°C WIRE TABLE PER NATIONAL ELECTRICAL CODE.
3. USE COPPER CONNECTORS RATED FOR 105°C.
4. SEE VOLTAGE SPECIFIC WIRING DETAIL
5. REFER TO XTP ELECTRICAL DATA SHEET.
6. INDOOR ENCLOSURE ONLY

BREAK TO EXTERNAL CONNECTIONS DIAGRAM

		XTP TWO ELECTRODE	
		MAT'L:	P/N
SCALE:		XTP-VL-1	
DRAWN BY: JK		DATE: 5/19/15	