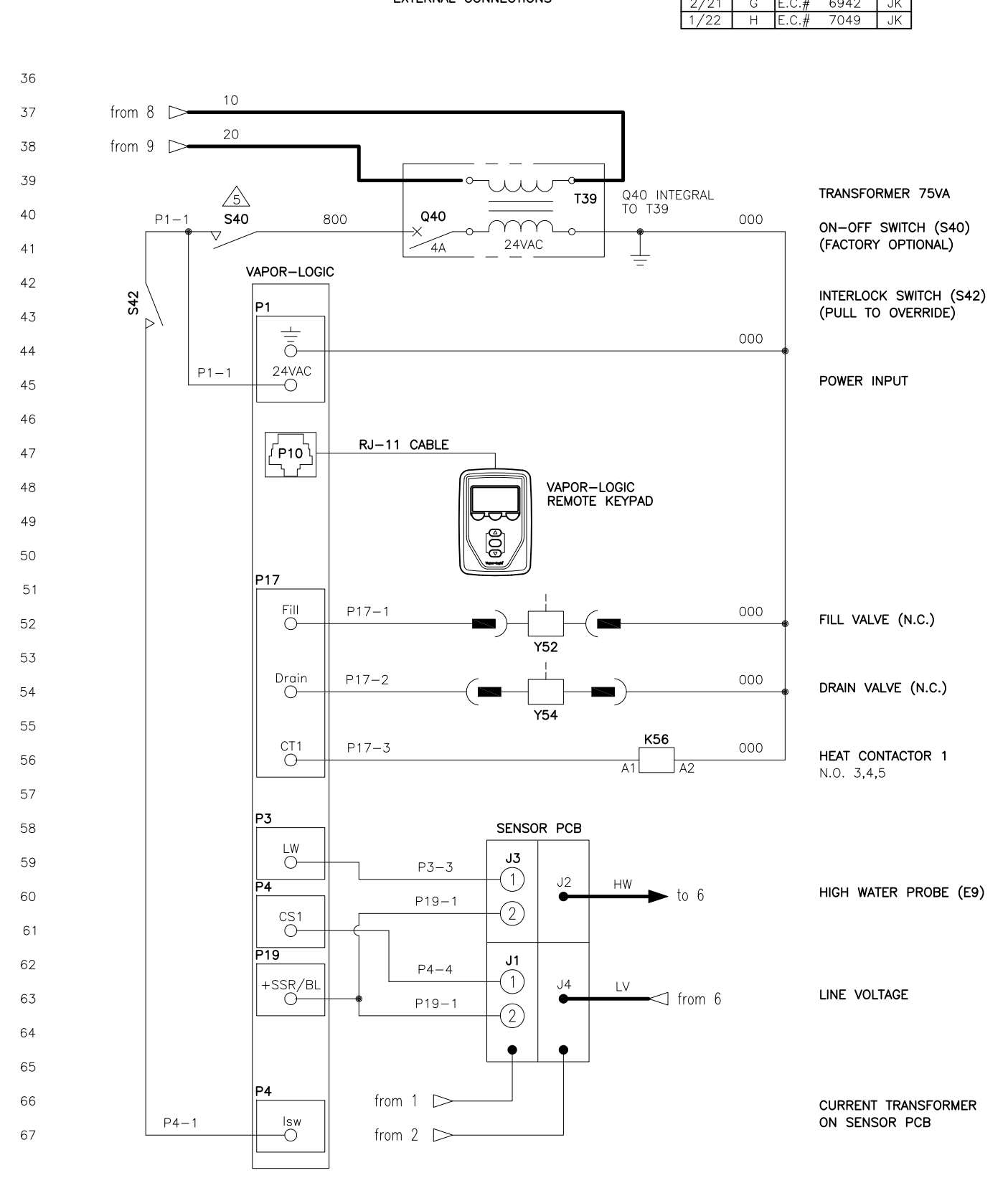
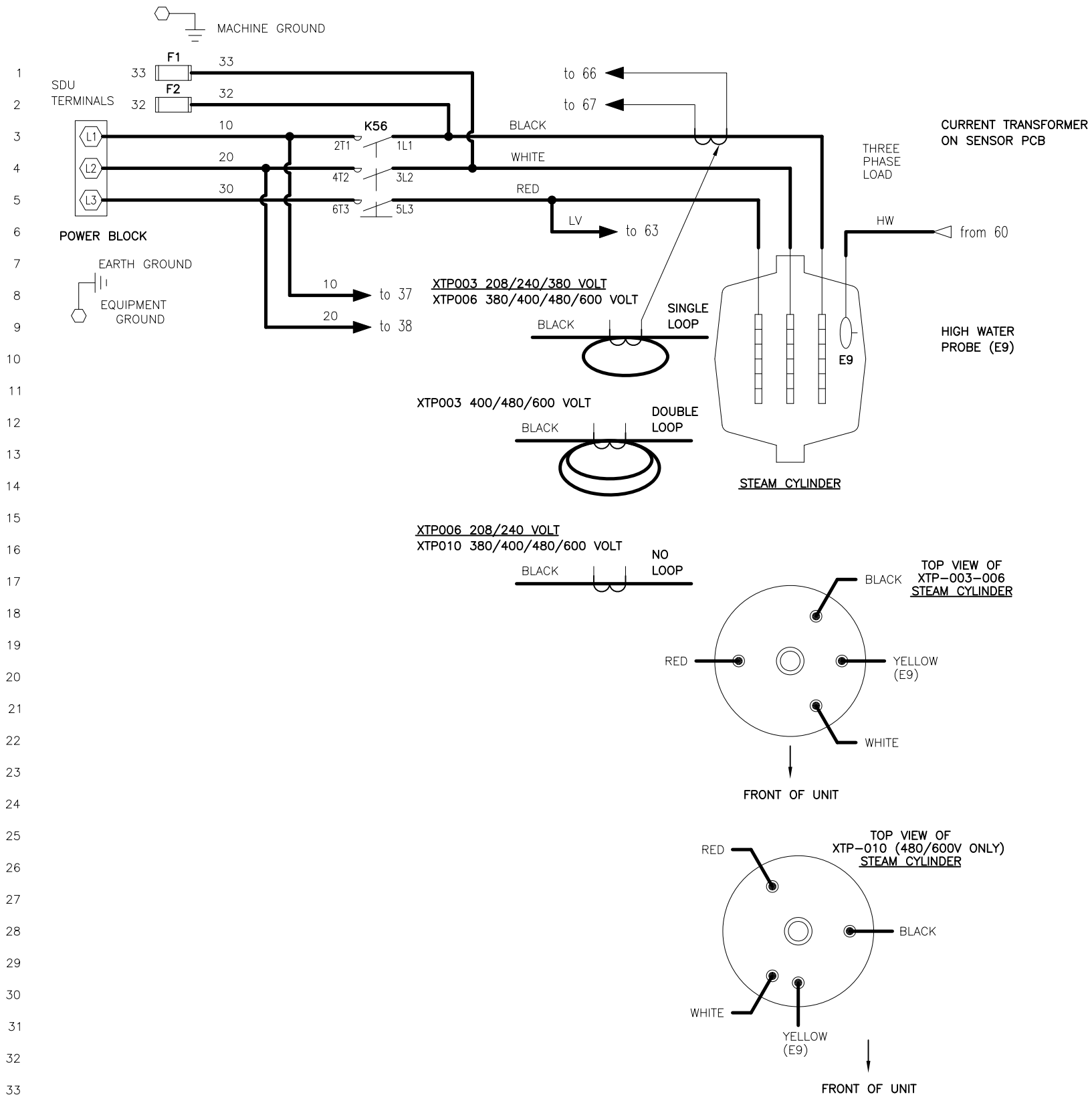


XTP THREE ELECTRODE STEAM HUMIDIFIER

REFER TO FOLLOWING DOCUMENTS
 -INSTALLATION REQUIREMENTS
 -EXTERNAL CONNECTIONS

DATE	REV	RECORD	DR
3/19	F	E.C.# 6771	JK
2/21	G	E.C.# 6942	JK
1/22	H	E.C.# 7049	JK



LEGEND

POWER WIRING	K RELAY/CONTACTOR	Y SOLENOID
CONTROL CIRCUIT WIRING	T TRANSFORMER	N SENSOR
	Q CIRCUIT BREAKER	J JUMPER
FIELD WIRING	S SWITCH	E WATER PROBE
	H HEATER	M MOTOR/FAN
OPTIONAL FACTORY	F FUSE	
OPTIONAL FIELD		

- NOTES:**
1. WIRING AND BRANCH CIRCUIT PROTECTION PROVIDED BY INSTALLER AS PER NATIONAL ELECTRICAL CODE.
 2. FOR SUPPLY HEATER AND MACHINE GROUND CONNECTIONS, SIZE WIRE USING 75°C WIRE TABLE PER NATIONAL ELECTRICAL CODE.
 3. USE COPPER CONNECTORS RATED FOR 105°C.
 4. REFER TO XTP ELECTRICAL DATA SHEET.
- ⚠ INDOOR ENCLOSURE ONLY

BREAK TO EXTERNAL CONNECTIONS DIAGRAM

		XTP THREE ELECTRODE	
		MAT'L:	P/N
SCALE:		XTP-VL-2	
DRAWN BY: JK			
DATE: 5/19/15			