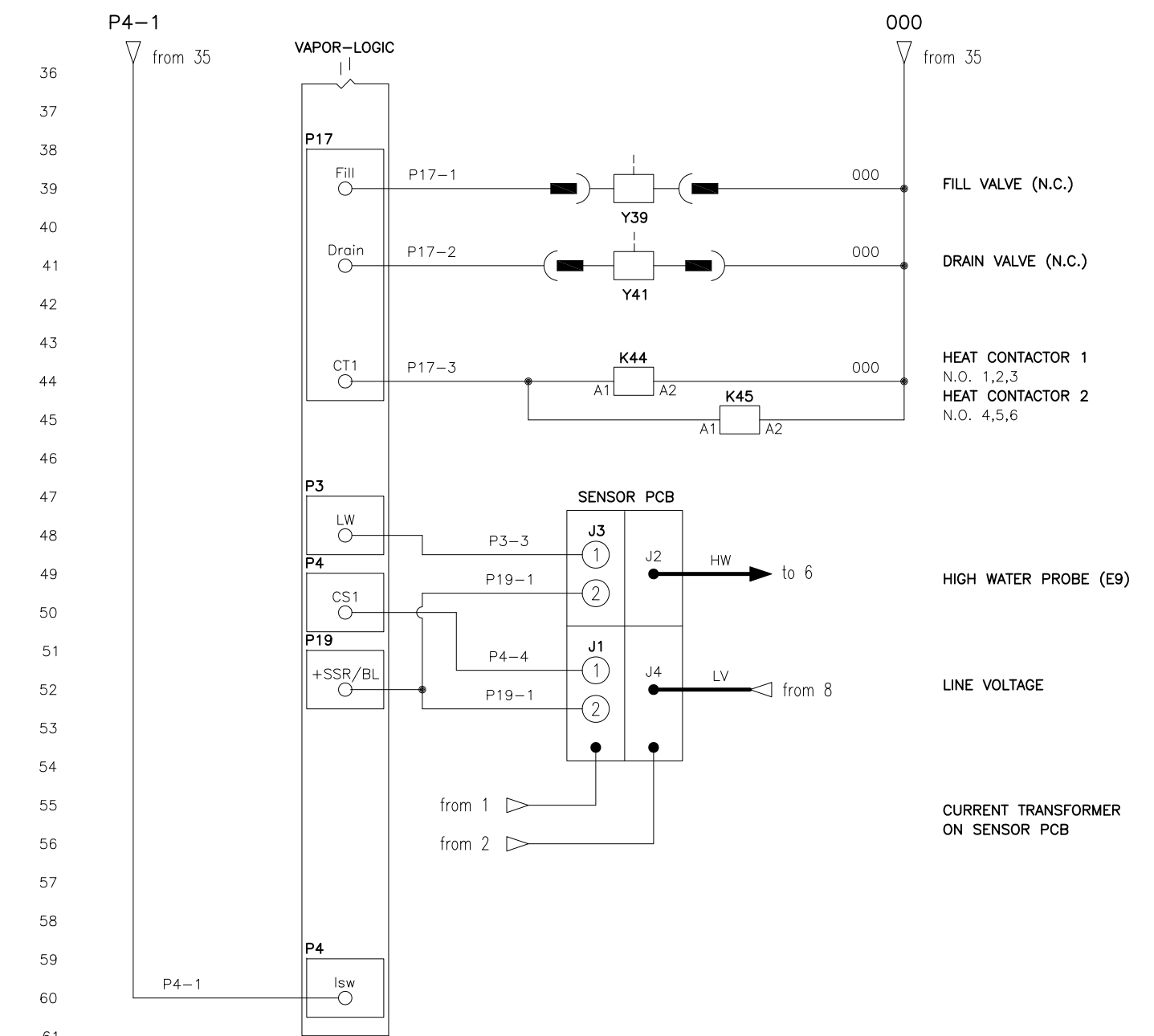
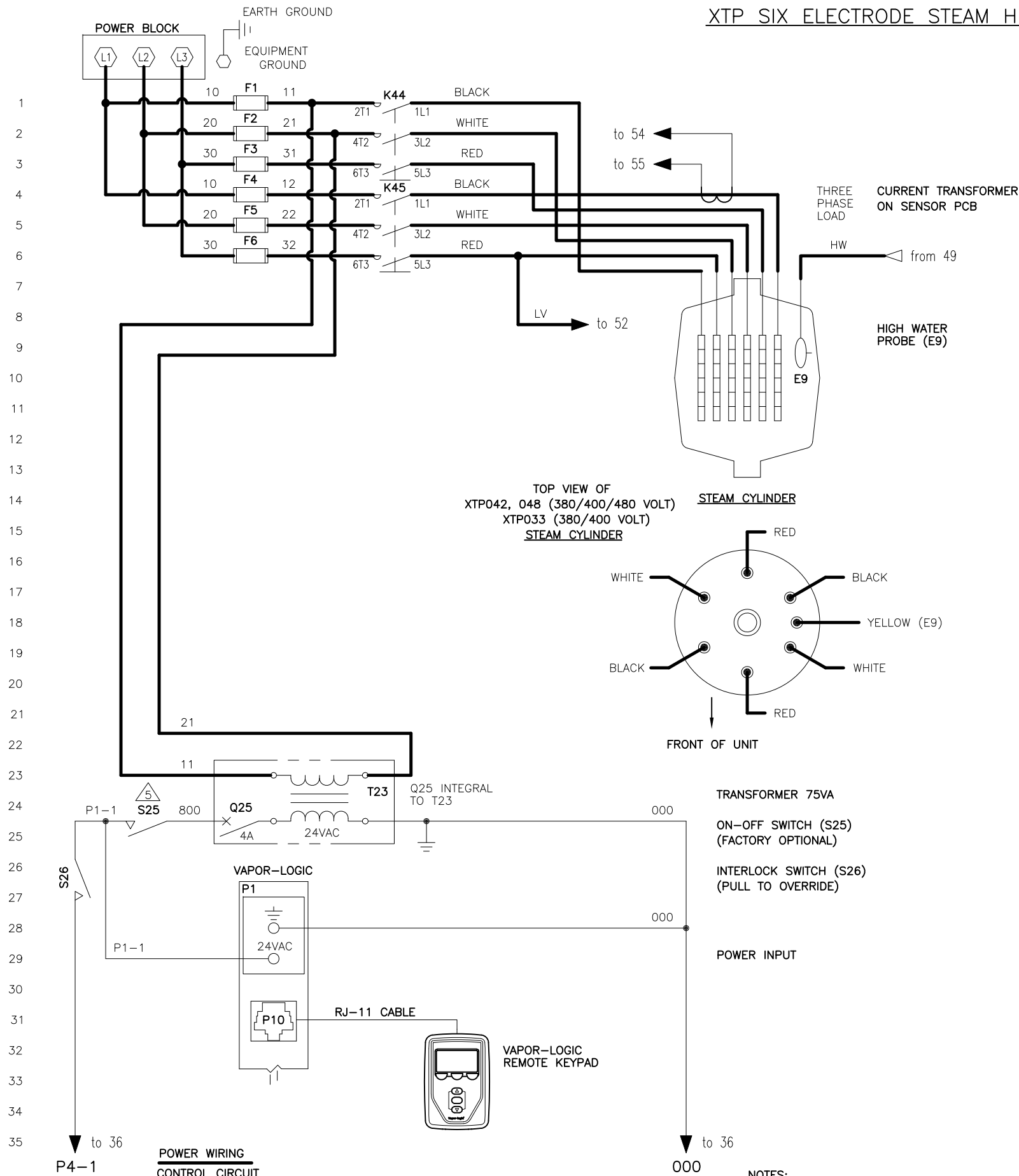


XTP SIX ELECTRODE STEAM HUMIDIFIER

REFER TO FOLLOWING DOCUMENTS
 -INSTALLATION REQUIREMENTS
 -EXTERNAL CONNECTIONS

DATE	REV	RECORD	DR
1/22	G	E.C.# 7049	JK
2/23	H	E.C.# 7149	JK



- TRANSFORMER 75VA
- ON-OFF SWITCH (S25)
(FACTORY OPTIONAL)
- INTERLOCK SWITCH (S26)
(PULL TO OVERRIDE)
- POWER INPUT

- NOTES:
1. WIRING AND BRANCH CIRCUIT PROTECTION PROVIDED BY INSTALLER AS PER NATIONAL ELECTRICAL CODE.
 2. FOR SUPPLY HEATER AND MACHINE GROUND CONNECTIONS, SIZE WIRE USING 75°C WIRE TABLE PER NATIONAL ELECTRICAL CODE.
 3. USE COPPER CONNECTORS RATED FOR 105°C.
 4. REFER TO XTP ELECTRICAL DATA SHEET.

INDOOR ENCLOSURE ONLY

BREAK TO EXTERNAL CONNECTIONS DIAGRAM

- LEGEND
- | | |
|-------------------|---------------|
| K RELAY/CONTACTOR | Y SOLENOID |
| T TRANSFORMER | N SENSOR |
| Q CIRCUIT BREAKER | J JUMPER |
| S SWITCH | E WATER PROBE |
| H HEATER | M MOTOR/FAN |
| F FUSE | |

	XTP SIX ELECTRODE XTP 042 048 W/FUSES, 380/400/480 VOLT	
	MAT'L:	P/N
	SCALE: DRAWN BY: JK DATE: 5/19/15	XTP-VL-4