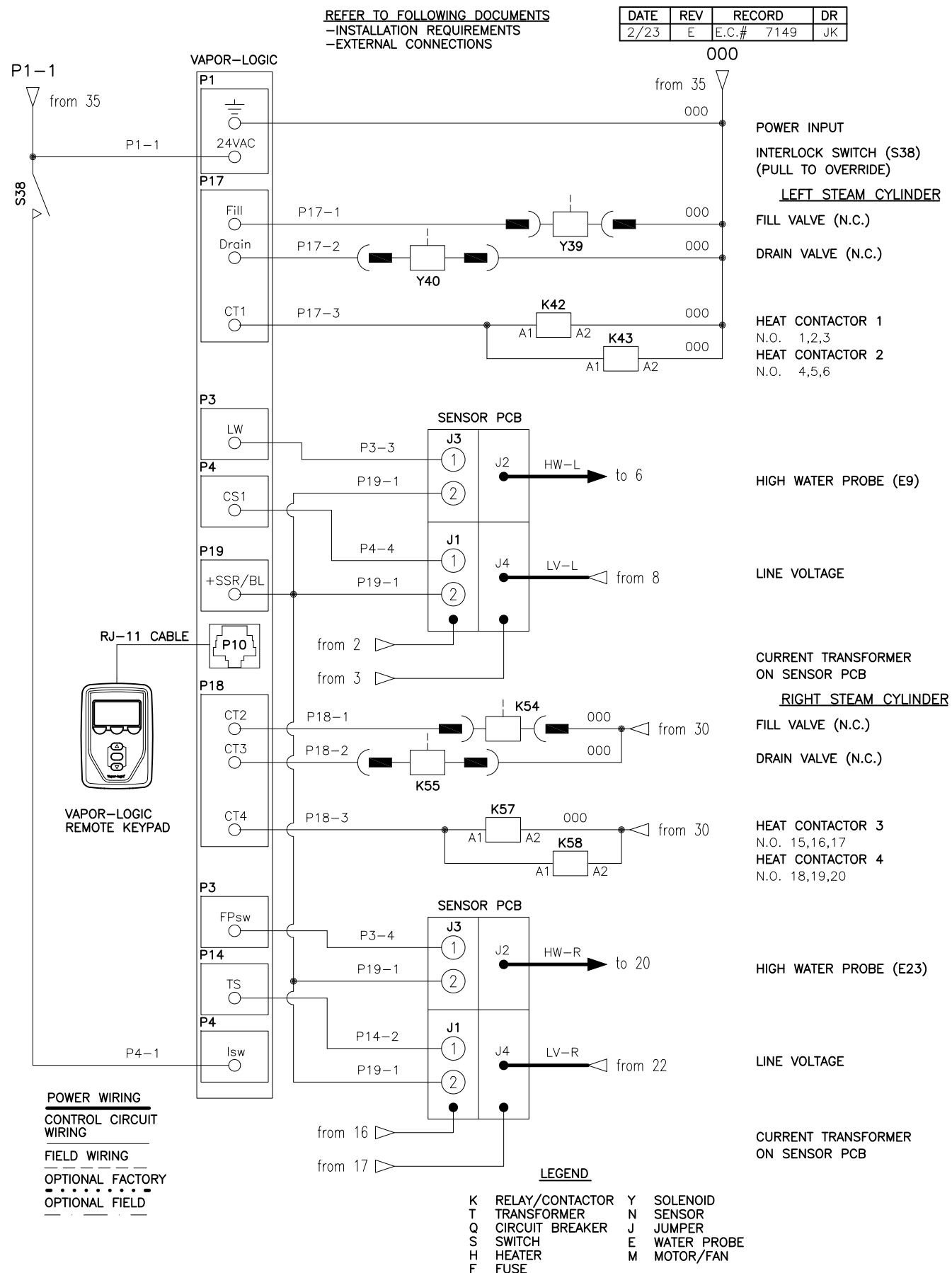


- NOTES:**
1. WIRING AND BRANCH CIRCUIT PROTECTION PROVIDED BY INSTALLER AS PER NATIONAL ELECTRICAL CODE.
 2. FOR SUPPLY HEATER AND MACHINE GROUND CONNECTIONS, SIZE WIRE USING 75°C WIRE TABLE PER NATIONAL ELECTRICAL CODE.
 3. USE COPPER CONNECTORS RATED FOR 105°C.
 4. REFER TO XTP ELECTRICAL DATA SHEET.



	XTP DUAL CYLINDER, XTP 083 096 W/FUSES 380/400/480 VOLT, XTP 067 W/FUSES 380/400 VOLT	
	SCALE: _____	P/N XTP-VL-5
DRAWN BY: JK	DATE: 5/19/15	

BREAK TO EXTERNAL CONNECTIONS DIAGRAM