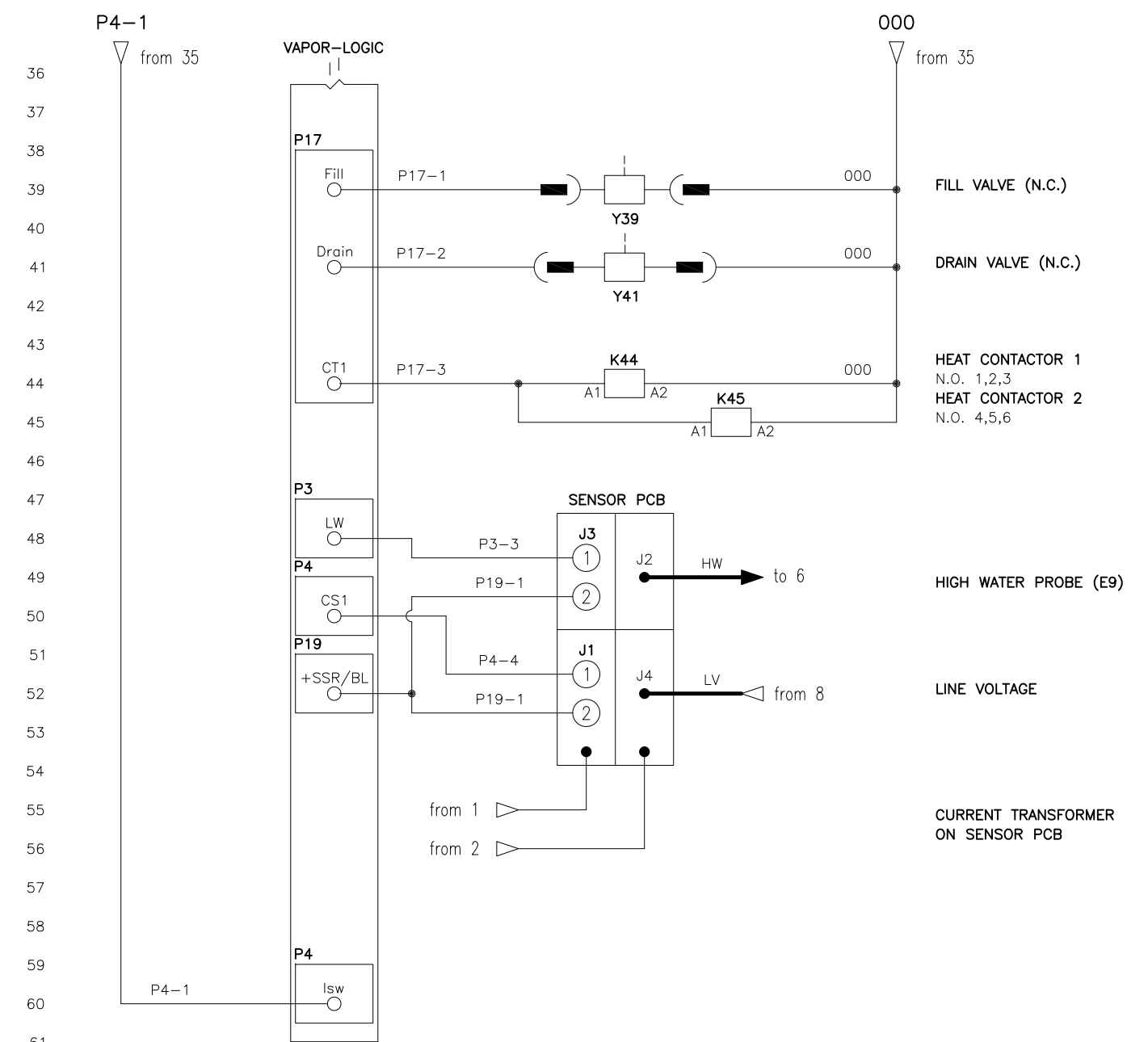
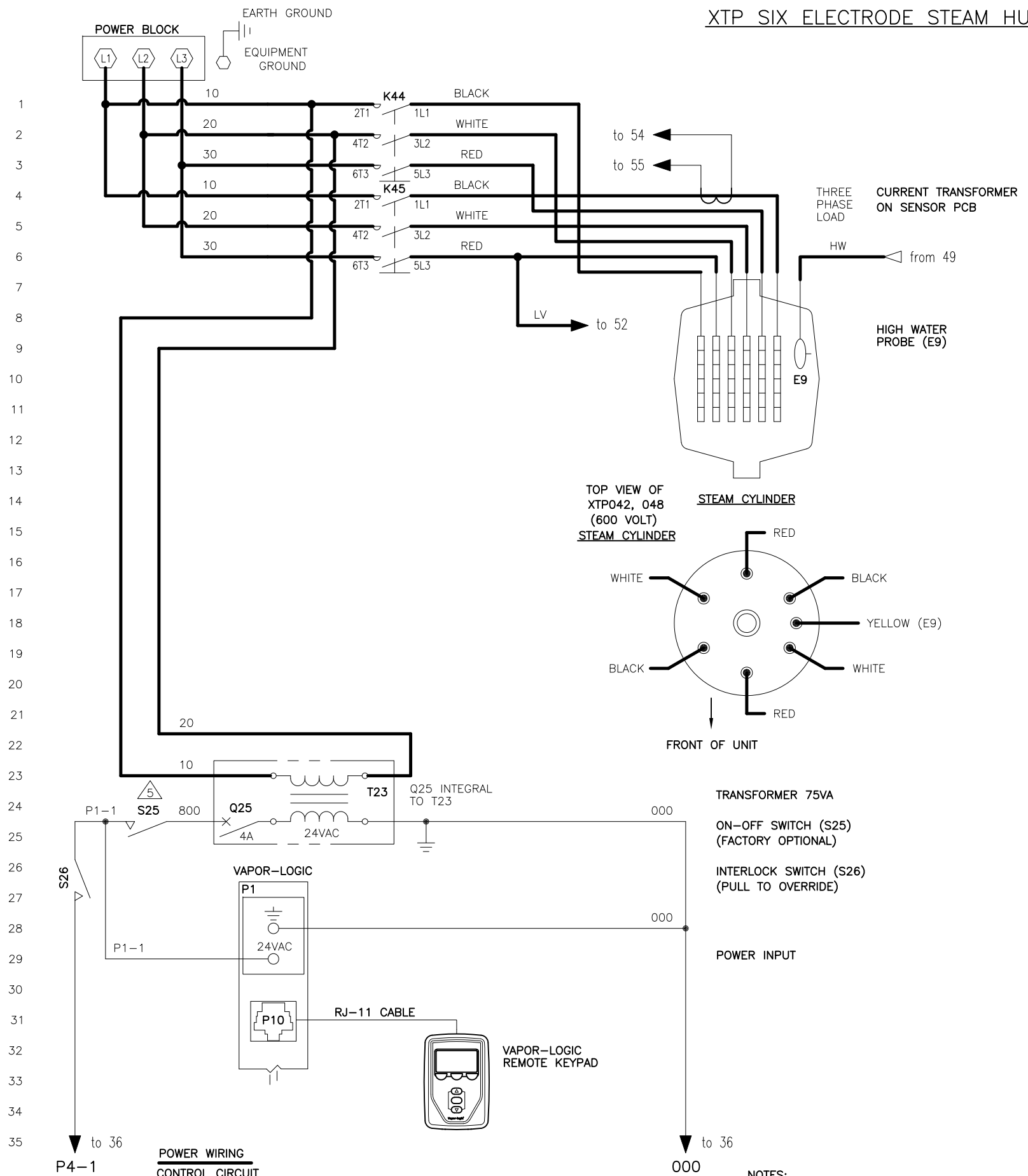


XTP SIX ELECTRODE STEAM HUMIDIFIER

REFER TO FOLLOWING DOCUMENTS
 -INSTALLATION REQUIREMENTS
 -EXTERNAL CONNECTIONS

DATE	REV	RECORD	DR
11/18	B	E.C.# 6717	JK
1/22	C	E.C.# 7049	JK



NOTES:

1. WIRING AND BRANCH CIRCUIT PROTECTION PROVIDED BY INSTALLER AS PER NATIONAL ELECTRICAL CODE.
2. FOR SUPPLY HEATER AND MACHINE GROUND CONNECTIONS, SIZE WIRE USING 75°C WIRE TABLE PER NATIONAL ELECTRICAL CODE.
3. USE COPPER CONNECTORS RATED FOR 105°C.
4. REFER TO XTP ELECTRICAL DATA SHEET.

INDOOR ENCLOSURE ONLY

BREAK TO EXTERNAL CONNECTIONS DIAGRAM

LEGEND

- | | |
|-------------------|---------------|
| K RELAY/CONTACTOR | Y SOLENOID |
| T TRANSFORMER | N SENSOR |
| Q CIRCUIT BREAKER | J JUMPER |
| S SWITCH | E WATER PROBE |
| H HEATER | M MOTOR/FAN |
| F FUSE | |

POWER WIRING
 CONTROL CIRCUIT WIRING
 FIELD WIRING
 OPTIONAL FACTORY
 OPTIONAL FIELD

		XTP SIX ELECTRODE	
		MAT'L:	P/N
SCALE:	DATE: 5/19/15	XTP-VL-6	
DRAWN BY: JK			