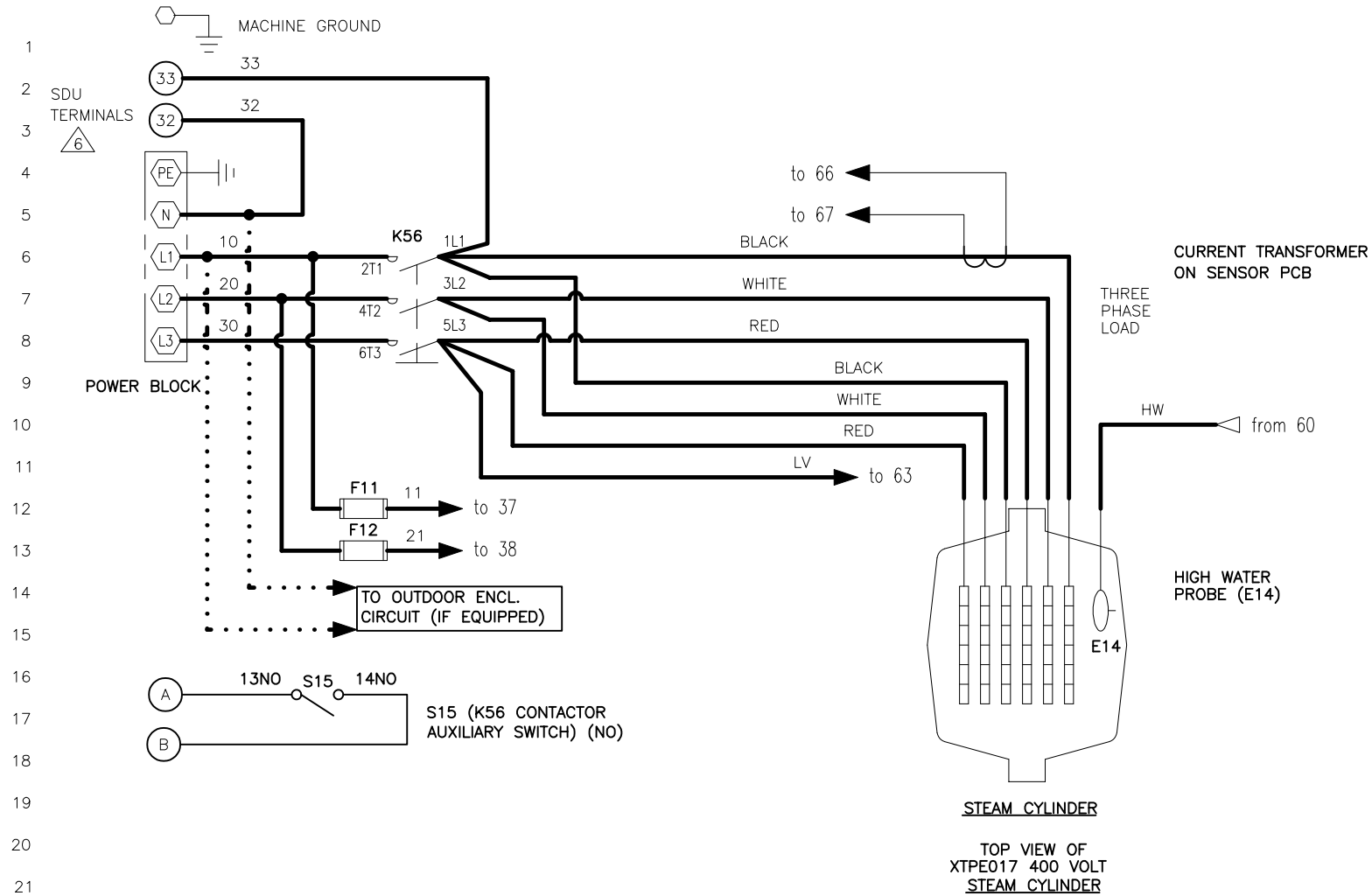


XTPE SIX ELECTRODE STEAM HUMIDIFIER

REFER TO FOLLOWING DOCUMENTS
 -INSTALLATION REQUIREMENTS
 -EXTERNAL CONNECTIONS

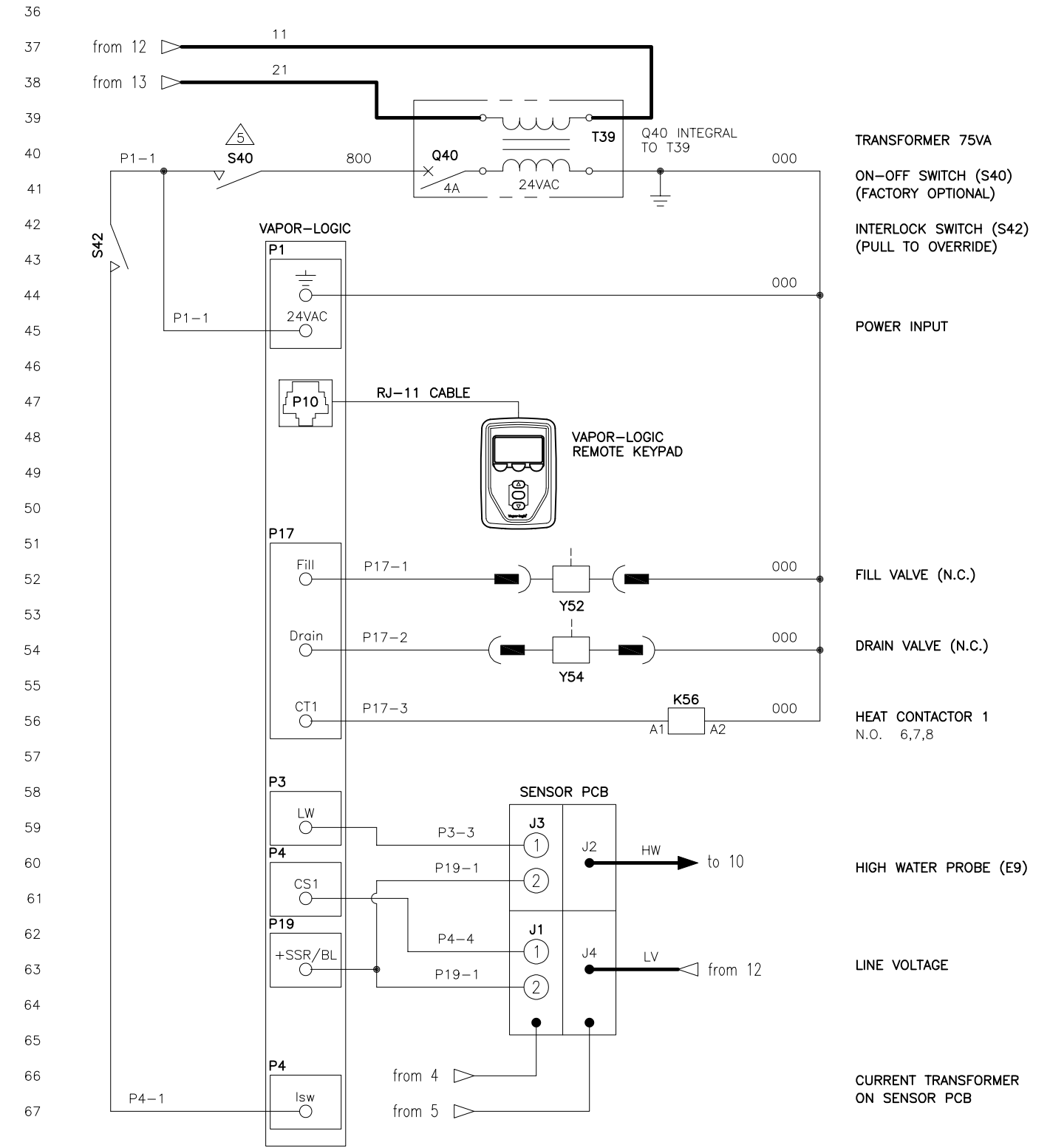
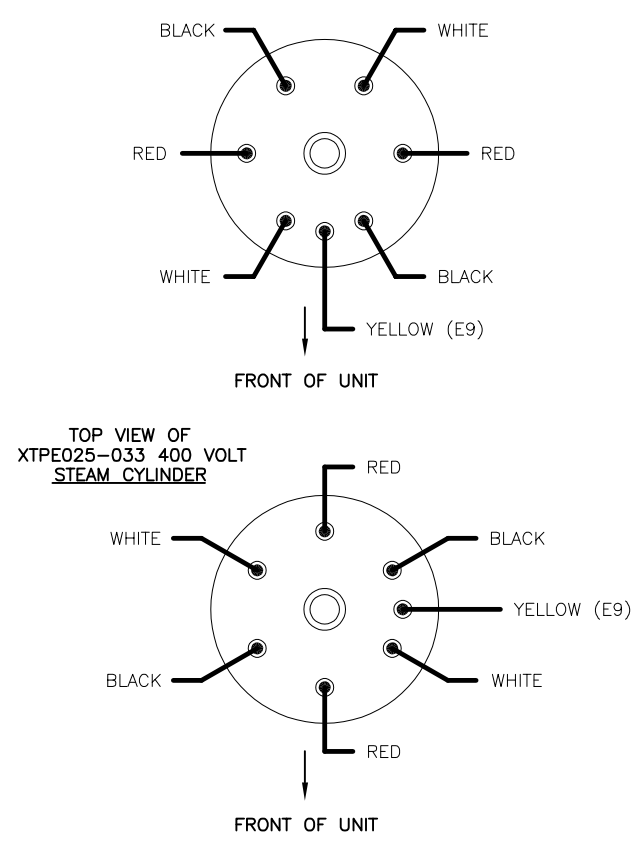
DATE	REV	RECORD	DR
1/22	G	E.C.# 7049	JK
4/23	H	E.C.# 7128	JK
7/23	I	E.C.# 7195	SBK



- LEGEND**
- | | |
|-------------------|---------------|
| K RELAY/CONTACTOR | Y SOLENOID |
| T TRANSFORMER | N SENSOR |
| Q CIRCUIT BREAKER | J JUMPER |
| S SWITCH | E WATER PROBE |
| H HEATER | M MOTOR/FAN |
| F FUSE | |

- POWER WIRING**
CONTROL CIRCUIT WIRING
FIELD WIRING
 OPTIONAL FACTORY
 OPTIONAL FIELD

- NOTES:**
1. WIRING AND BRANCH CIRCUIT PROTECTION PROVIDED BY INSTALLER AS PER NATIONAL ELECTRICAL CODE.
 2. FOR SUPPLY HEATER AND MACHINE GROUND CONNECTIONS, SIZE WIRE USING 75°C WIRE TABLE PER NATIONAL ELECTRICAL CODE.



3. USE COPPER CONNECTORS RATED FOR 105°C.
 4. REFER TO XTP ELECTRICAL DATA SHEET.
- 5 INDOOR ENCLOSURE ONLY
- 6 WIRES 32 AND 33 NOT INSTALLED ON OUTDOOR ENCLOSURE MODELS

BREAK TO EXTERNAL CONNECTIONS DIAGRAM

XTPE SIX ELECTRODE	
MAT'L:	
SCALE:	P/N
DRAWN BY: ECR	XTPE-VL-3
DATE: 5/18	

