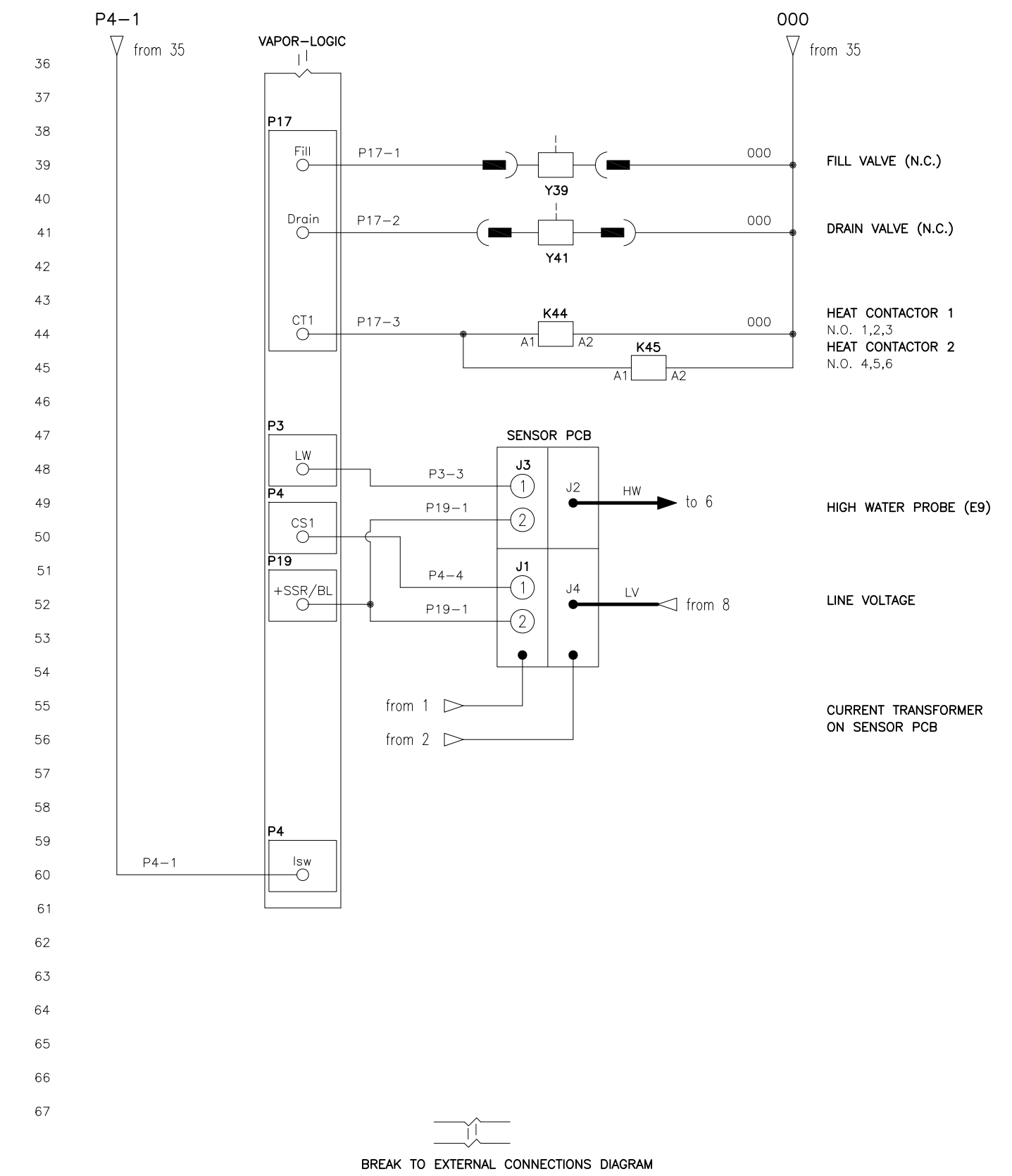
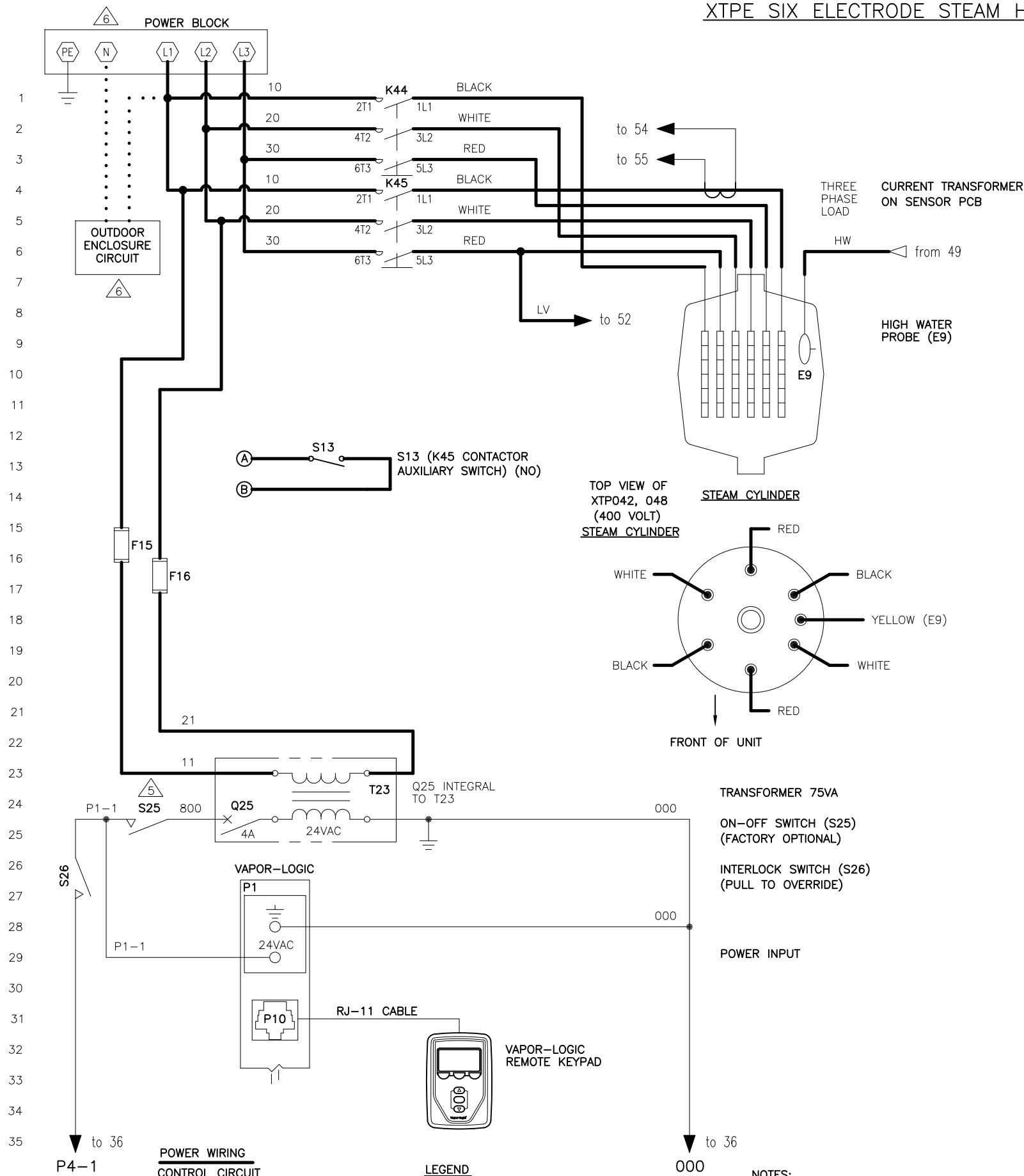


XTPe SIX ELECTRODE STEAM HUMIDIFIER

REFER TO FOLLOWING DOCUMENTS
 -INSTALLATION REQUIREMENTS
 -EXTERNAL CONNECTIONS

DATE	REV	RECORD	DR
1/22	D	E.C.# 7049	JK
11/22	E	E.C.# 7128	JK



POWER WIRING
 CONTROL CIRCUIT WIRING
 FIELD WIRING
 OPTIONAL FACTORY
 OPTIONAL FIELD

LEGEND

K	RELAY/CONTACTOR	Y	SOLENOID
T	TRANSFORMER	N	SENSOR
Q	CIRCUIT BREAKER	J	JUMPER
S	SWITCH	E	WATER PROBE
H	HEATER	M	MOTOR/FAN
F	FUSE		

NOTES:

1. WIRING AND BRANCH CIRCUIT PROTECTION PROVIDED BY INSTALLER AS PER NATIONAL ELECTRICAL CODE.
2. FOR SUPPLY HEATER AND MACHINE GROUND CONNECTIONS, SIZE WIRE USING 75°C WIRE TABLE PER NATIONAL ELECTRICAL CODE.
3. USE COPPER CONNECTORS RATED FOR 105°C.
4. REFER TO XTP ELECTRICAL DATA SHEET.

Ⓜ INDOOR ENCLOSURE ONLY
 Ⓜ OUTDOOR ENCLOSURE CIRCUIT

XTPe SIX ELECTRODE	
MAT'L:	
SCALE:	P/N
DRAWN BY: ECR	XTPe-VL-4
DATE: 5/18	

