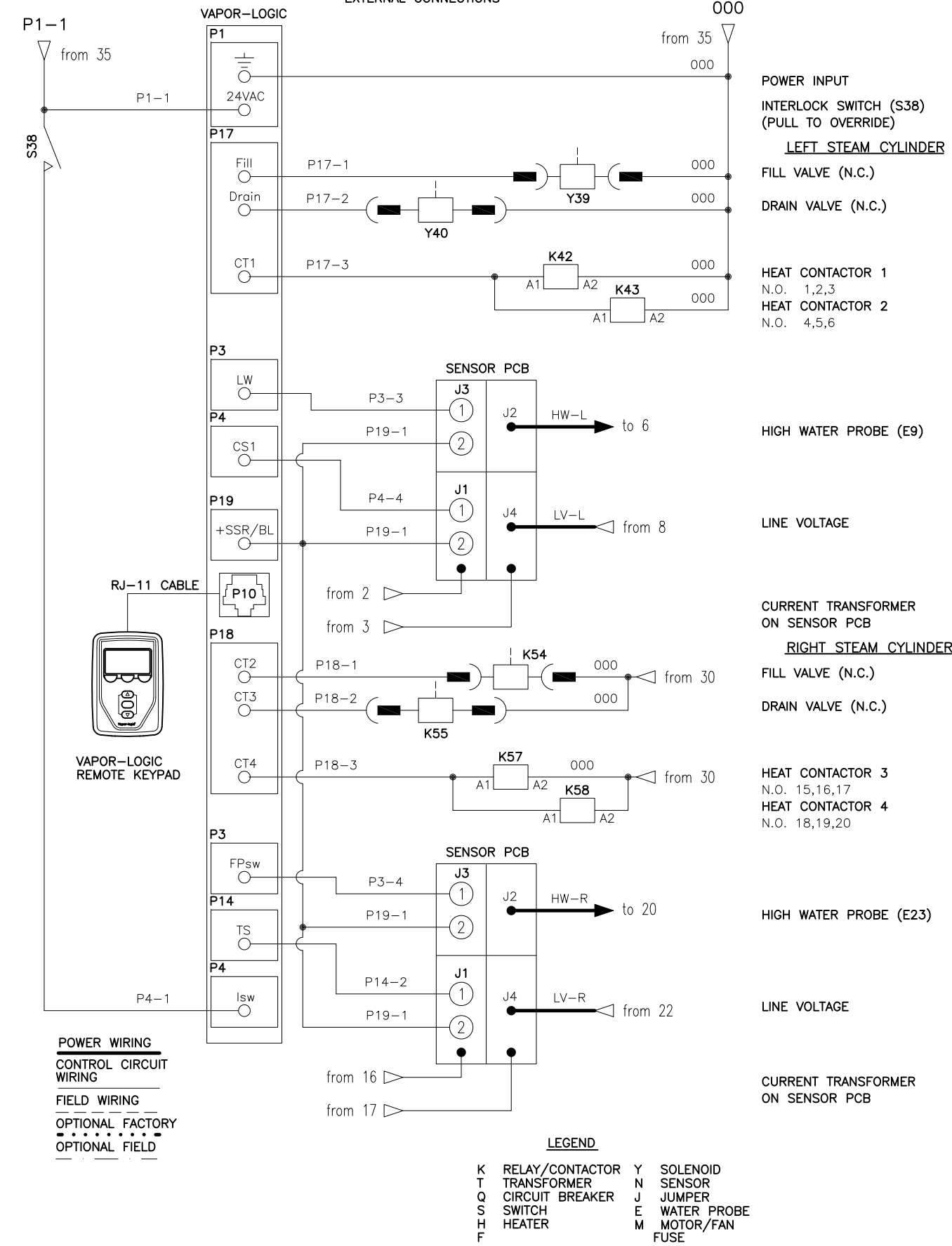
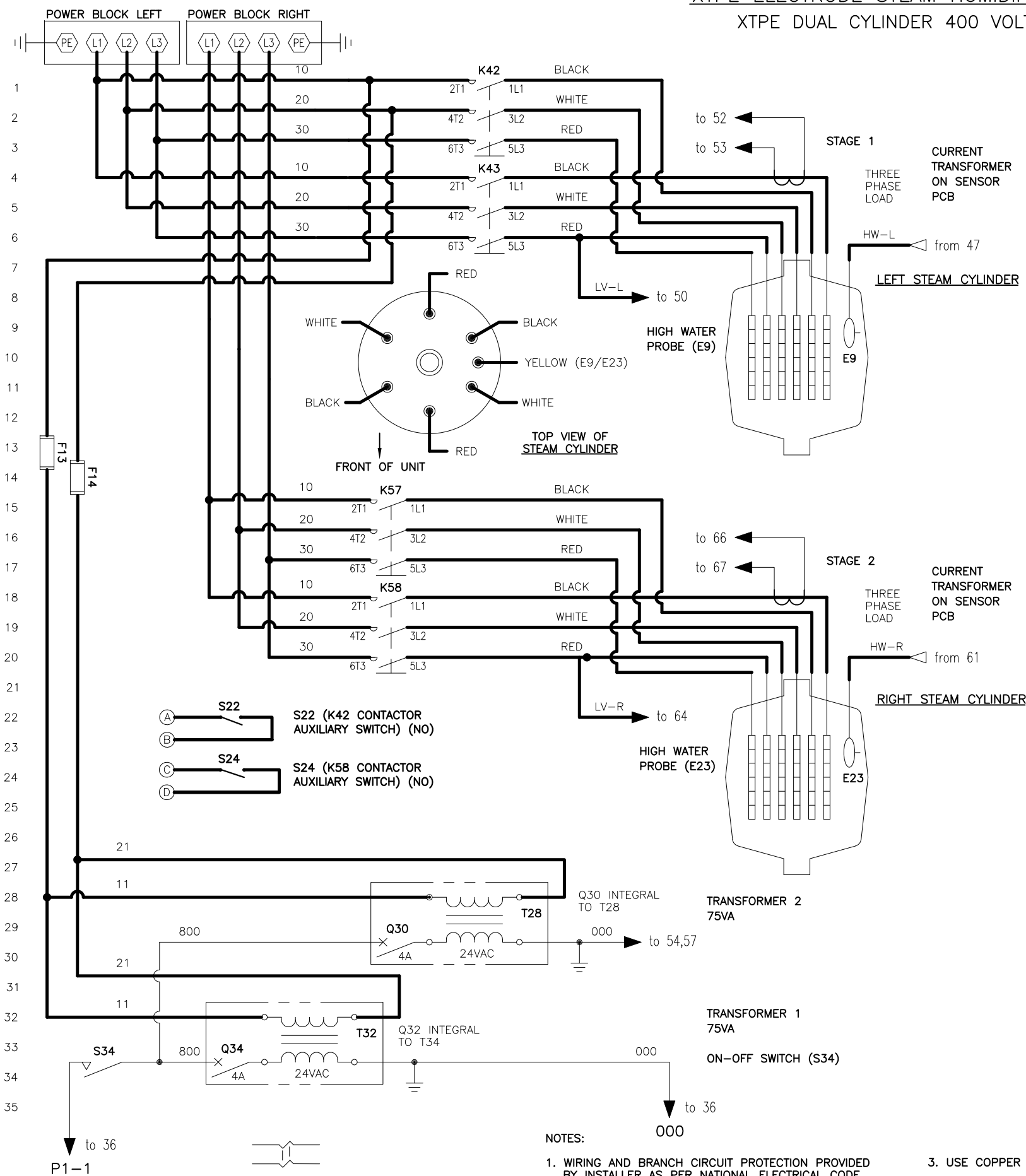


XTPE ELECTRODE STEAM HUMIDIFIER
XTPE DUAL CYLINDER 400 VOLT

REFER TO FOLLOWING DOCUMENTS
 -INSTALLATION REQUIREMENTS
 -EXTERNAL CONNECTIONS

DATE	REV	RECORD	DR
2/19	D	E.C.# 6771	JK



P1-1 BREAK TO EXTERNAL CONNECTIONS DIAGRAM

		XTPE DUAL CYLINDER	
		MAT'L:	
SCALE:		P/N	XTPE-VL-5
DRAWN BY:	ECR	DATE:	5/18