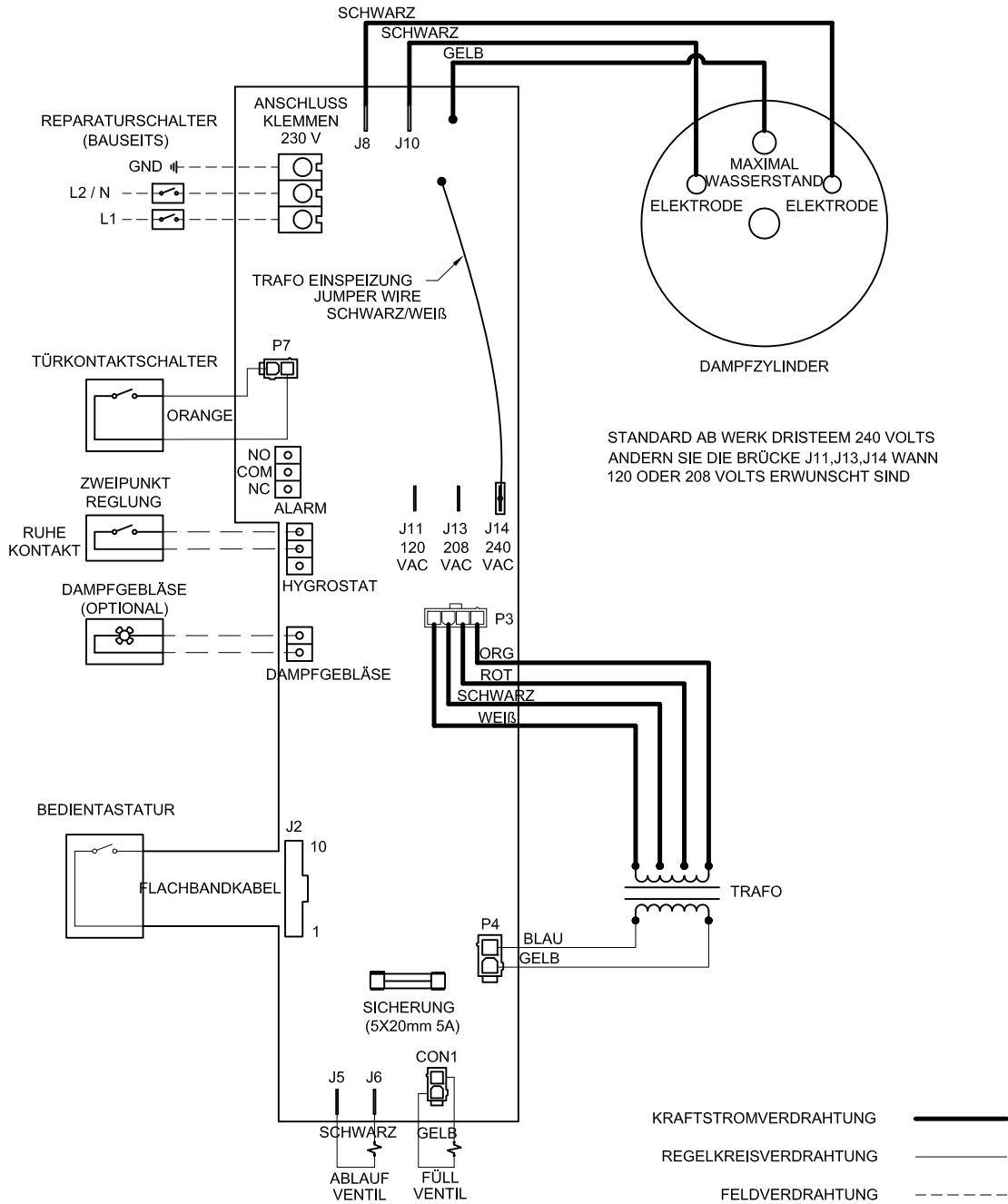


XTR SCHALTPLAN

DATE	REV	RECORD	DR
5/15	A	E.C.# 6379	JK
5/16	B	E.C.# 6467	JK



XTR SCHALTPLAN		
MAT'L:		
SCALE:	P/N	
DRAWN BY: JK/CN	XTR-1M-G	
DATE: 5/7/15		

