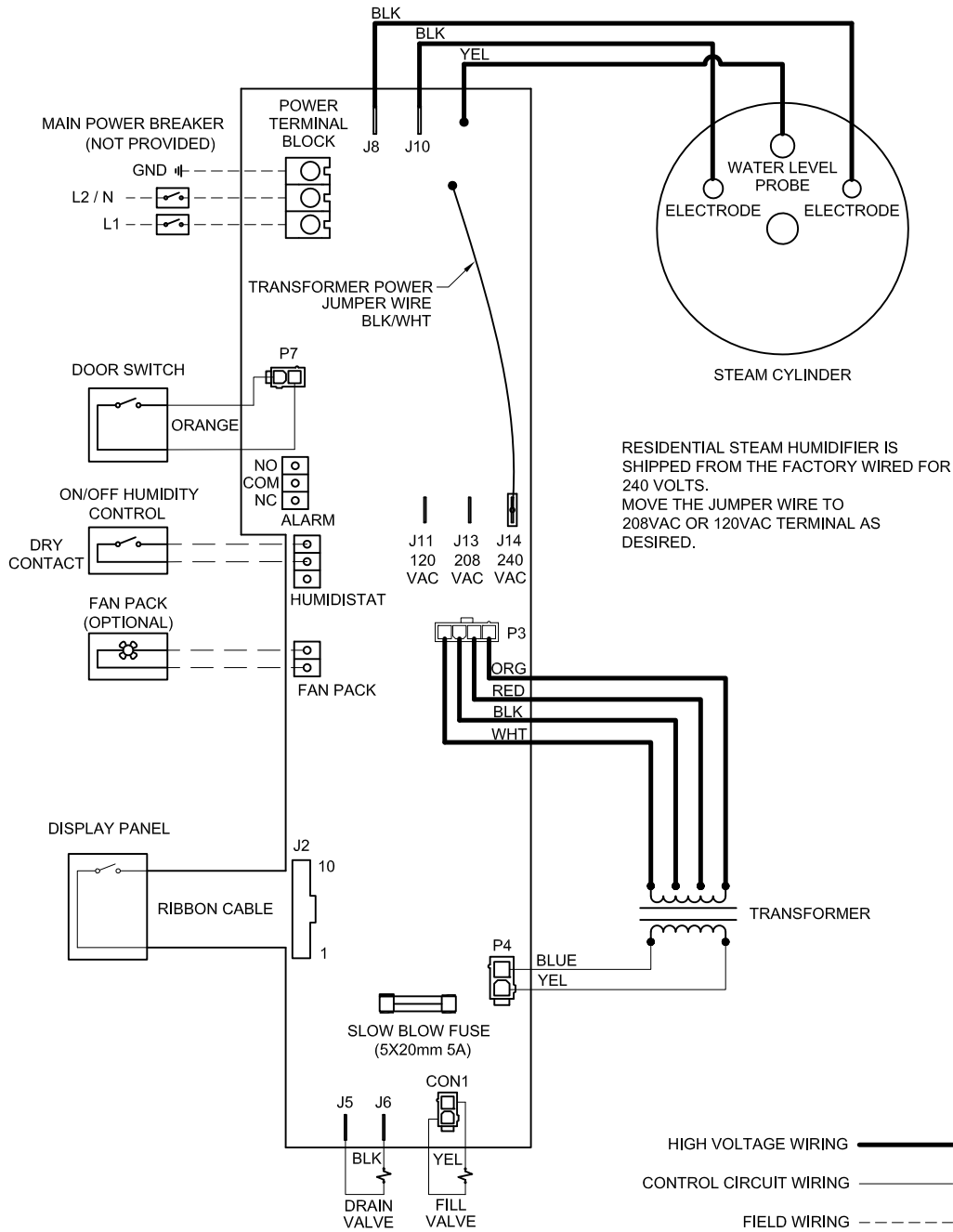


XTR WIRING DIAGRAM

DATE	REV	RECORD	DR
5/15	A	E.C.# 6379	JK



XTR WIRING DIAGRAM		
MAT'L:		
SCALE:	P/N	XTR-1M
DRAWN BY: JK		
DATE: 5/7/15		

