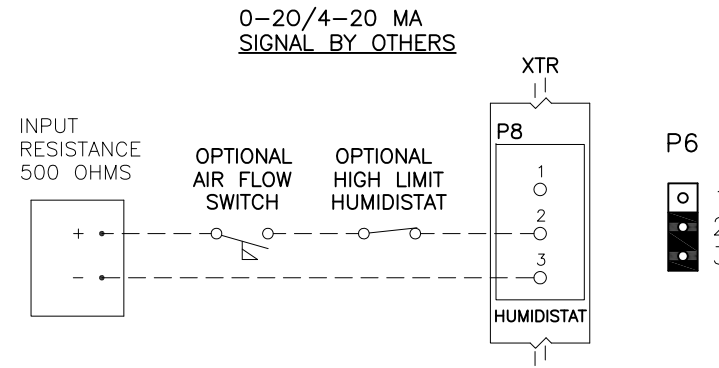
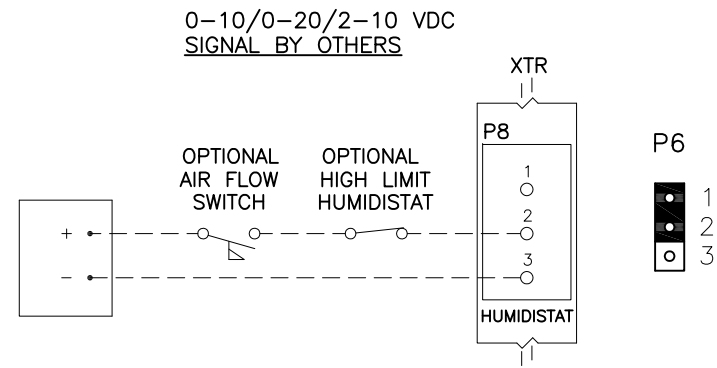


# XTR EXTERNAL CONTROL CONNECTIONS & DIP SWITCH SETTINGS DIAGRAM

DATE	REV	RECORD	DR
3/15	A	E.C.# 6379	JK
5/16	B	E.C.# 6467	JK

## CONTROL INPUTS

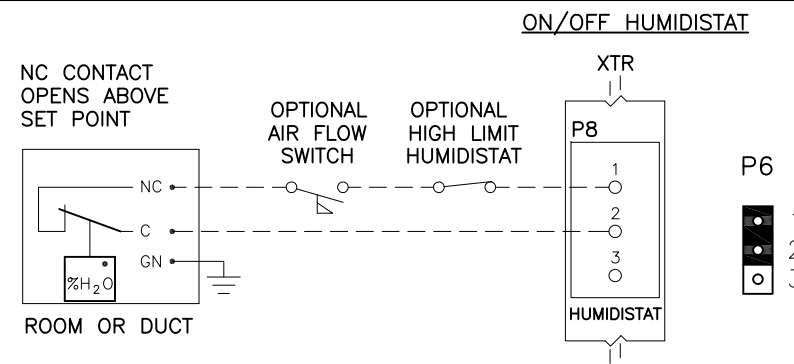
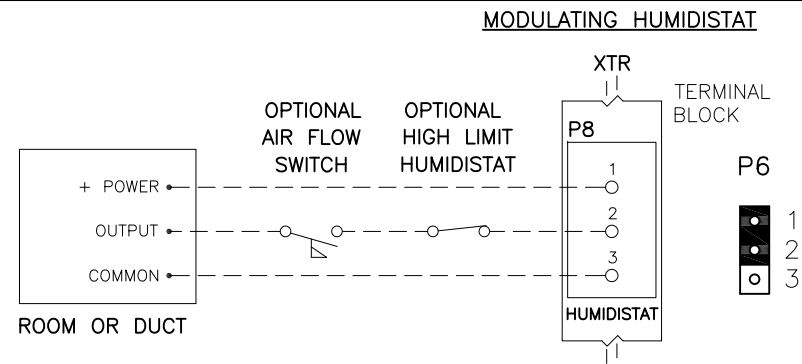
### SIGNAL BY OTHERS



### CONTROL DIP SWITCH SETTING

DIP 2	DIP 3	SIGNAL TYPE
OFF	OFF	ON/OFF HUMIDISTAT
ON	OFF	0-20 VDC
OFF	ON	0-10 VDC (OR) 0-20MA
ON	ON	2-10 VDC (OR) 4-20MA

### HUMIDISTAT



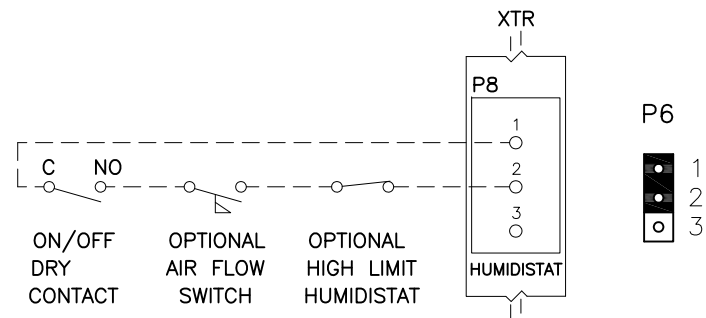
### DRAIN TEMPERING DIP SWITCH SETTING

DIP 4	DRAIN TEMPERING
OFF	DISABLED
ON	ENABLED

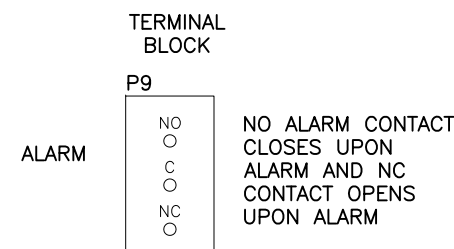
### XTR HUMIDISTAT CONNECTION TERMINALS

LABEL	FUNCTION
1	+24 VDC
2	INPUT
3	GROUND

### ON/OFF CONTROL SIGNAL



### OPTIONAL ALARM CONTACT



\* SHUNT P6 IS LOCATED NEXT TO TERMINAL BLOCK P8  
FACTORY DEFAULT IS TERMINALS 1 & 2.

CONTROL CIRCUIT  
WIRING  
FIELD WIRING  
OPTIONAL FACTORY  
OPTIONAL FIELD

BREAK TO EXTERNAL  
CONNECTIONS DIAGRAM

DRAWING EFFECTIVE FOR  
MODULATING XTR UNITS  
SHIPPED AFTER APRIL 2015

XTR EXTERNAL CONTROL  
CONNECTIONS & DIP SWITCH  
SETTINGS

**driSteem**

MAT'L:  
SCALE:  
DRAWN BY: KROG  
DATE: 3/19/15

P/N  
XTR-2